



Description

Heavy duty joint covers for use in car parks, warehouses and ramps.

Installed after completion of the final floor finish. EPS System is optional.

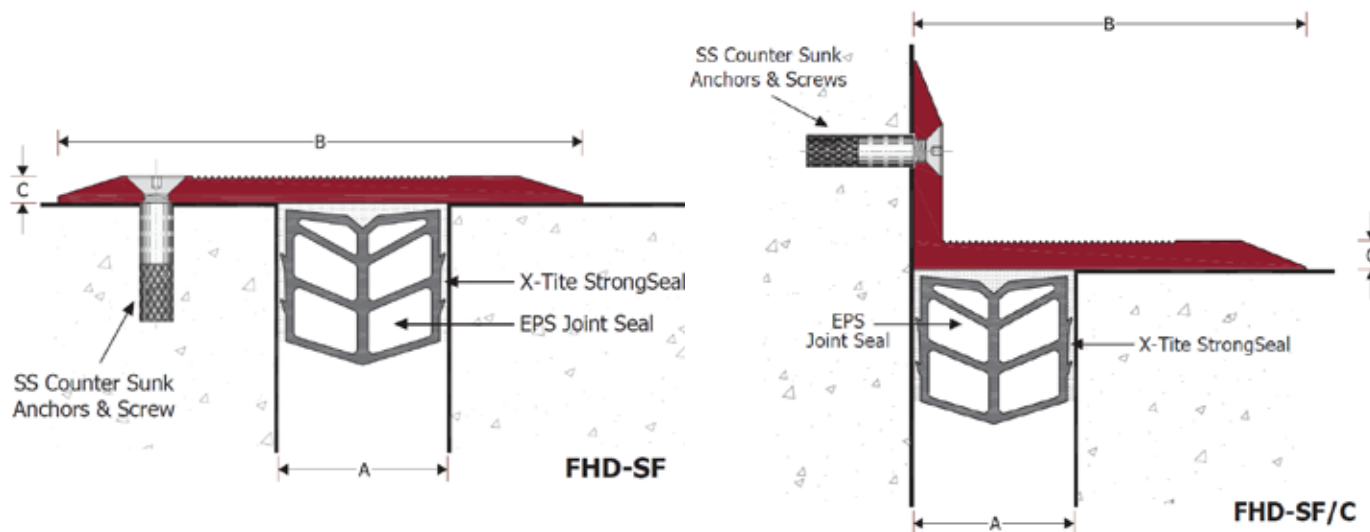
Materials:

Anodized aluminium 6063/T6. Can also be supplied in mill finish aluminium.

EPS Joint Seal: 20m roll. Supplied with stainless steel anchors and screws.

Supply Lengths:

4m, custom lengths can be produced in order to minimize wastage.



TYPE	A	B	C
FLAT PROFILE			
FHD-SF 110/40	5 to 40	110	6
FHD-SF 155/70	41 to 65	155	8
FHD-SF 185/100	66 to 100	185	9
FHD-SF 260/150	101 to 150	260	9.5
FHD-SF 325/200	151 to 200	325	12
CORNER PROFILE			
FHD-SF/C 110/40	5 to 40	64	6
FHD-SF/C 155/70	41 to 70	122	9
FHD-SF/C 185/100	71 to 100	122	9
FHD SF/C 260 /150	100 to 150	190	10
FHD SF/C 325 / 200	150 to 200	255	12

Dimension in mm